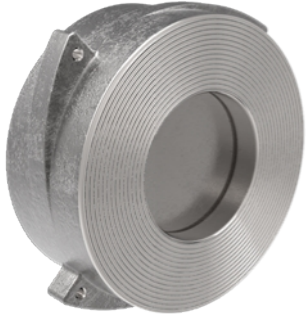


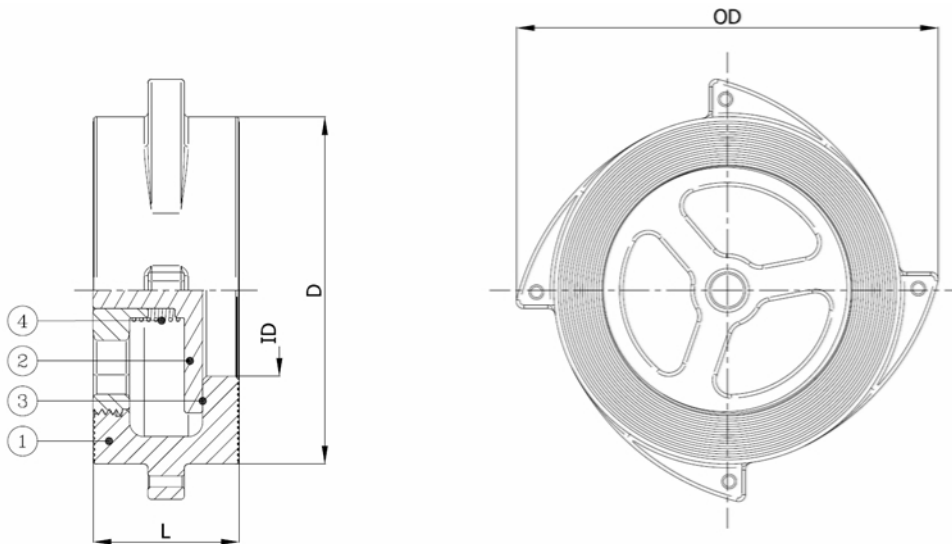
BV36-6666E-A150

Wafer type disc check valve, mounting between flanges PN10/PN16/PN25/PN40/A150

Face to Face Standard: EN 558-1 series 49



Item Number	Belven Ref
367077E0015	BV36-6666E-A150-DN015
367077E0020	BV36-6666E-A150-DN020
367077E0025	BV36-6666E-A150-DN025
367077E0032	BV36-6666E-A150-DN032
367077E0040	BV36-6666E-A150-DN040
367077E0050	BV36-6666E-A150-DN050
367077E0065	BV36-6666E-A150-DN065
367077E0080	BV36-6666E-A150-DN080
367077E0100	BV36-6666E-A150-DN100



DN/Size	D	ID	OD	L	Press.Cl.	Weight(kg)
DN15 (1/2")	43	15	56	16	PN40	0.11
DN20 (3/4")	53	19	69	19	PN40	0.20
DN25 (1")	63	25	76	22	PN40	0.27
DN32 (1 1/4")	75	32	87	28	PN40	0.44
DN40 (1 1/2")	80	38	101	31,5	PN40	0.64
DN50 (2")	95	47	114	40	PN40	0.96
DN65 (2 1/2")	115	63	136	46	PN40	1.44
DN80 (3")	131	77	154	50	PN40	2.08
DN100 (4")	150	97,5	176	60	PN40	3.31

Item 1	Item 2	Item 3
Body Material	Disc Material	Seat Material
Stainless steel : 1.4408 (CF8M)	Stainless steel : 1.4408 (CF8M)	EPDM